



Poltroncina in polietilene che trae ispirazione dal concetto orientale del “rapporto rotondo” espresso in termini formali per “favorire l’aggregazione” in un contesto di spazio relax. Ideale sia per l’outdoor che l’indoor, è disponibile in svariate finiture e colori. Abbinabile al tavolino “Enta”.

Polyethylene armchair inspired by the Eastern concept of “relationship round” expressed in formal terms to “improve the grouping” in a context of space to relax. Ideal for the outdoors and the indoors, is available in several finishing and colors. Matching to “Enta” coffee table.

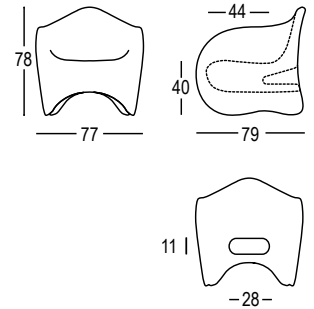
GOEN

DESIGN SETSU & SHINOBU ITO

Material: Polietilene / Polyethylene

Gross Weight: Kg 18,8

Use: **INDOOR / OUTDOOR**



COLORI BASE / BASIC COLOURS

ART. 6239 | GOEN

- C2 Bianco C2
White C2
- L4 Rosmarino
Rosemary
- 74 Fucsia
Fuchsia
- 86 Verde acido
Acid green
- 87 Nero perla
Pearl black

LACCATI / LACQUERED

ART. 6539 | GOEN

- D7 Rosso oriente
Orient red
- 03 Bianco
White
- 07 Nero
Black

METALLIZZATI / METALLIZED

ART. 6839 | GOEN

- E8 Caffè
Coffee